

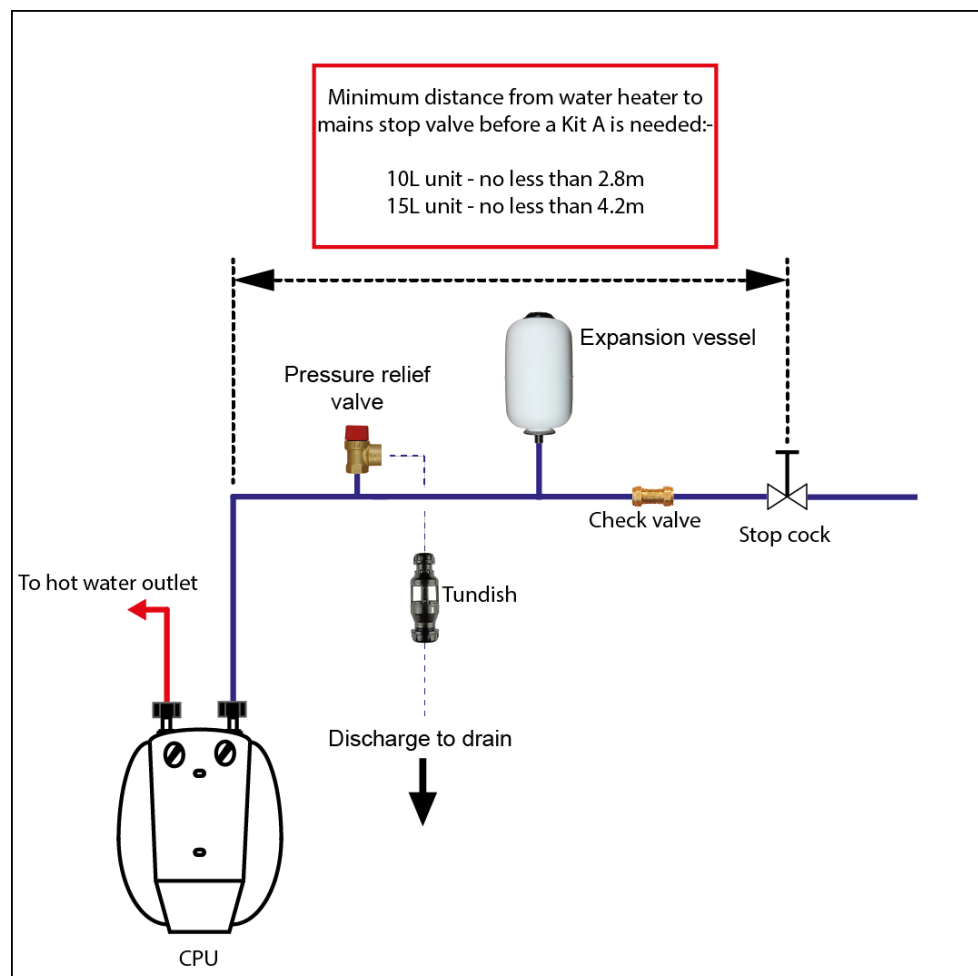
When is an expansion vessel required for 15 or 10 litre unvented water heaters?

When installing an unvented water heater with a capacity of 15 litres or less then the use of an expansion vessel is optional.

As the water in the heater is warming up, it will expand. Often the expanded water will be absorbed within the mains cold feed pipe and back into the water mains.

If there is a check valve / non return valve, a mains stop cock, pressure reducing valve or something that could prevent the expansion going back through the mains then an expansion vessel should be considered.

If a 10 litre water heater is within 2.8 metres of an obstruction or a 15 litre is within 4.2metres then it is advised an expansion vessel (Kit A) be installed to prevent the safety valve / pressure relief valve from discharging which often causes the over-heat thermostat to shut the water heater down.



The 2 litre expansion vessel (Kit A) should be installed between the stop valve and the pressure relief valve.